

TULMAR

Tulmar Safety Systems

Ensuring Safety with Advanced Training Equipment

AVIATION TRAINING CATALOGUE



TULMAR

www.tulmar.com



**Reliable and
true to experience.**

Evacuation Descent Training Slides

Everything you need for cabin crew training

Our **Descent Evacuation Training Slide** are designed to simulate emergency land evacuations. Mounted on an elevated platform, they enable cabin crew to safely practice jumping and sliding procedures in a controlled, dry-land environment.

Specifically designed to

- Simulate your OEM TSO evacuation slide experience
- Meet all cabin safety training requirements
- Ensure durability, dependability, and low maintenance
- Save money

Proven to withstand high-volume training

300
descent/month

10+
years service life

Included Components

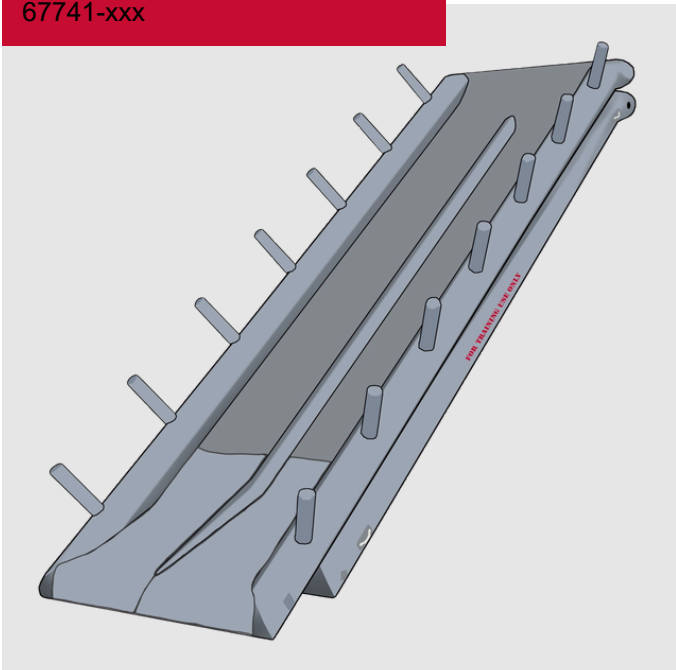
- Replaceable girt with features & pull force simulation
- Replaceable sliding and decelerating surface

Configurable Components

- Length customization tailored to specific requirements
- Life lines
- Functional handles
- Canopy stubs
- Net for canopy stubs
- Marking & Logo
- Optional accessories available, adaptable to various training facility setups

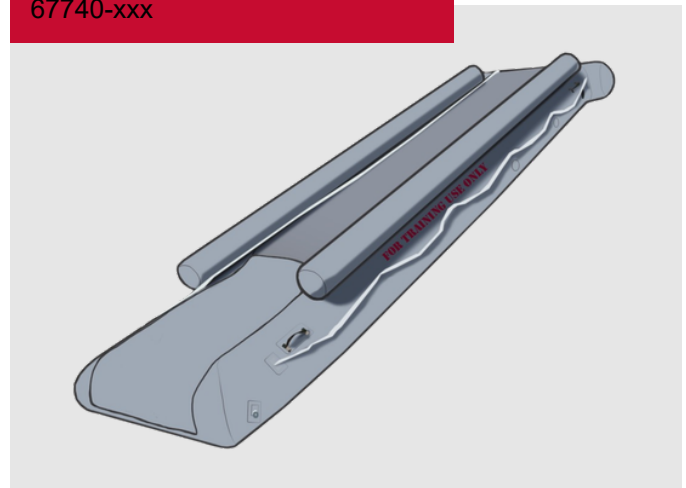
Dual Lane Descent Slide

67741-xxx



Single Lane Descent Slide

67740-xxx



Evacuation Ditching Training Slides

Ensuring safety through advanced training equipment

Our **Ditching Evacuation Training Slide** are designed to simulate emergency water evacuations. Positioned horizontally on a solid surface or in water, they enable cabin crew to safely practice ditching procedures and life raft operations in a controlled environment.

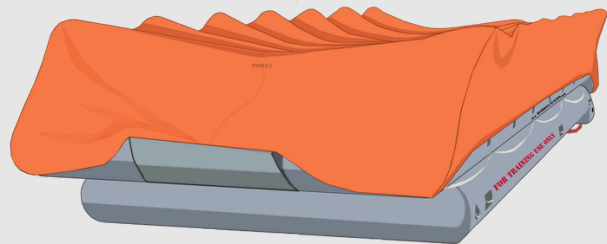
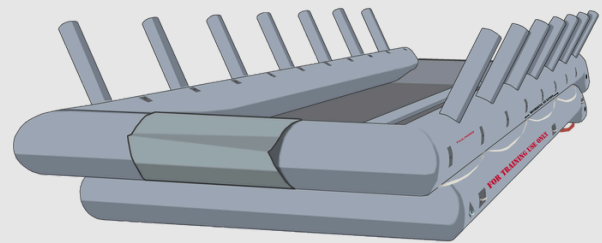
Specifically designed to

- Simulate your OEM TSO evacuation slide experience
- Meet all cabin safety training requirements
- Ensure durability, dependability, and low maintenance
- Save money

A320 and A330 type-specific Evacuation Ditching Training Slides available. General configuration with modular accessories available to order.

A330 Ditching Dual Lane

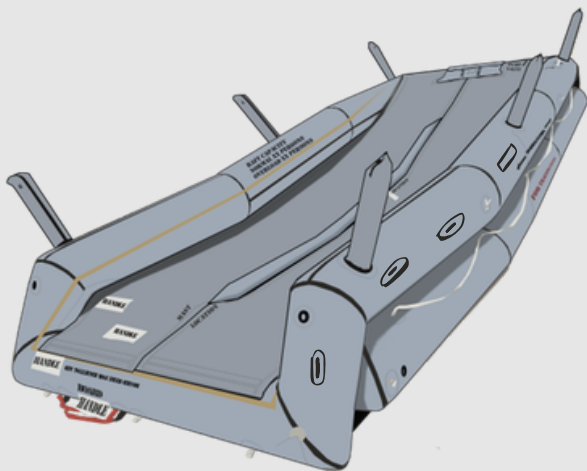
67762-001



9.4m

A320 Ditching Dual Lane

67760-001



6.7m

Canopy kit included*

Included Components

- Sea lights
- Canopy stubs & tie downs
- Type-specific function handles
- Simulated emergency light strip
- Simulated deceleration strips
- Removable Type-specific replicated feature boarding ladders & handles
- Knife in pocket, heaving line and rescue ring & sea anchor in pouch
- Life lines
- Canopy kit
- Replaceable Type-specific girt with features & pull force simulation
- Replaceable sliding surface set

Type Specific & Classroom Girt Trainers

A hands-on solution for mastering safety procedures

Our **girt trainers** offer users an authentic OEM experience, allowing cabin crew to practice the critical actions of pulling the handle to inflate an evacuation slide and detach a girt. These trainers are designed to replicate the precise motion and force required to perform these tasks in a real emergency evacuation scenario.

Classroom Girt Trainer

- Realistic pull force for inflation and release (30 lbs)
- Authentic pull motion sequence
- Lacing under the girt flap mimics a slide attachment
- Anti-skid bottom for various training surfaces
- Foldable design with back handles for easy storage
- Quick reset feature (less than 20 seconds)

Classroom Girt Trainer
6446-001



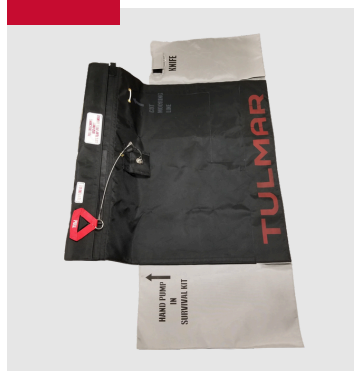
Type-specific Cabin Emergency Evacuation Trainer (CEET) Girt Trainers

Replicates pull force and simulates size and appearance, enabling cabin crew to safely practice deployment sequences.

Available CEET Models

- E175/E190
- B737
- B767
- B777
- B787
- A220
- A319/A320/A321
- A330/340

B777



A319/A320/A321



Training Protective Breathing Equipment (PBE)

Realistic. Durable. Washable. Repairable.

Our **Training Protective Breathing Equipment (PBE) models** are designed to feel and operate just like the real thing. Built to meet the rigorous demands of training environments, they ensure durability and ease of use.

- Designed to simulate the appearance and operation of OEM PBEs.
- Features a simple-to-use simulated actuation system for efficient training.
- Constructed with robust materials designed to withstand repetitive use in rigorous training settings.
- Machine washable for easy cleaning, with replacement parts and repair services available at Tulmar.

Included Accessories

- Removable, non-latex neck seal.
- Simulated actuation system.

Additional Accessories

- Re-usable storage pouches and boxes.
- Replacement parts to extend the lifecycle of your PBE.
- Alternate actuation systems.
- Latex and non-latex neck seal.

Type 1 – Drager Style

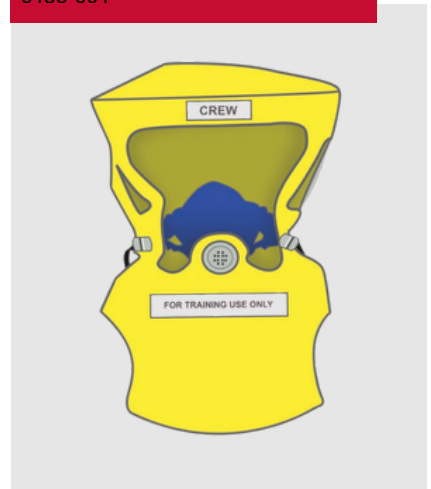
6408-005



Nose piece available

Type 2 – Puritan-Bennett Style

6483-001



Type 3 – Scott-Avox Style

6444-105



Pull-pin candle available

Type 4 – Essex

6485-006 & 6485-001



Red ball available

Type 4 – Air Liquide Style

87481-001



Training Life Vests & Life Rafts

Official **EAM Worldwide** Distributor

We are an approved global distributor of all **EAM Worldwide** Life Vests and Life Rafts, offering both operational and training models. Our comprehensive MRO services extend from thorough inspections to recertification and repairs for all models provided.

Training life vests available

- P01202-101D (5 years)- Single Cell UXF-35 Passenger Demo
- P01202-201D (10 years) - Single Cell UXF-35 Passenger Demo
- P01074-101D - Twin Cell XF-35 Passenger Demo

Additional Accessories

- Whistle
- Live & dummy 16g and 33g CO² cylinders
- Training life vest pouch (4 sizes)



Training life rafts available

- 4 person - Single tube (R0101A601T)
- 9 person - Single tube (R0103A601T)
- 6 person - Twin tube (R0425A601T)
- 12 person - Twin tube (R0297A601T)
- 25 person - Twin tube (R037A601T)
- 32 person - Twin tube (R1700-701T)
- 36 person - Twin tube (R1900-701T)
- 46 person - Twin tube (R0202A701T)
- 56 person - Twin tube (R2000-701T)



Configuration Details

- **Included:** Canopy & SEP (Survival Equipment Pack) kit
- **Excluded:** Inflation system, carrying case, warranty.

Tulmar is also an accredited distributor and repair station for **Winslow**, **AmSafe**, and **Safran**.

TULMAR

Get in Touch!

Tulmar Safety Systems Inc.
1123 Cameron St., Hawkesbury
ON Canada, K6A 2B8
+1 613 632 1282
aviation@tulmar.com
www.tulmar.com



Visit Our Website!